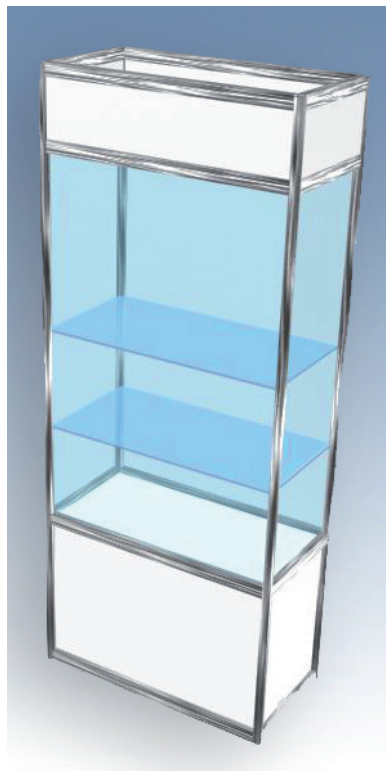


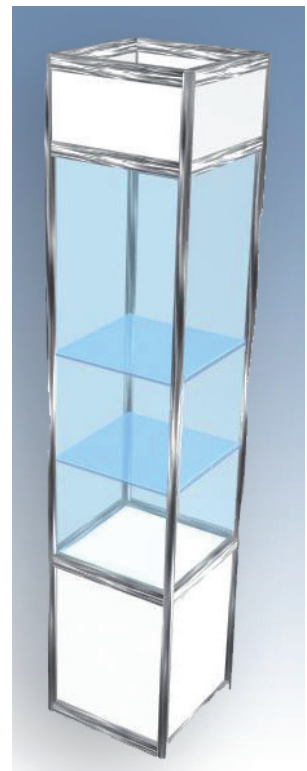
**Showcases** glazed on 2-3 sides with 2 glass shelves and spotlights



Showcase  
2,5m x 1m x 1m



Showcase  
2,5m x 1m x 0,5m



Showcase  
2,5m x 0,5m x 0,5m



Showcase  
2,5m x 0,5m x 0,5m,  
R=0,5m



Showcase  
2,5m x 0,5m x 1m,  
R=1m

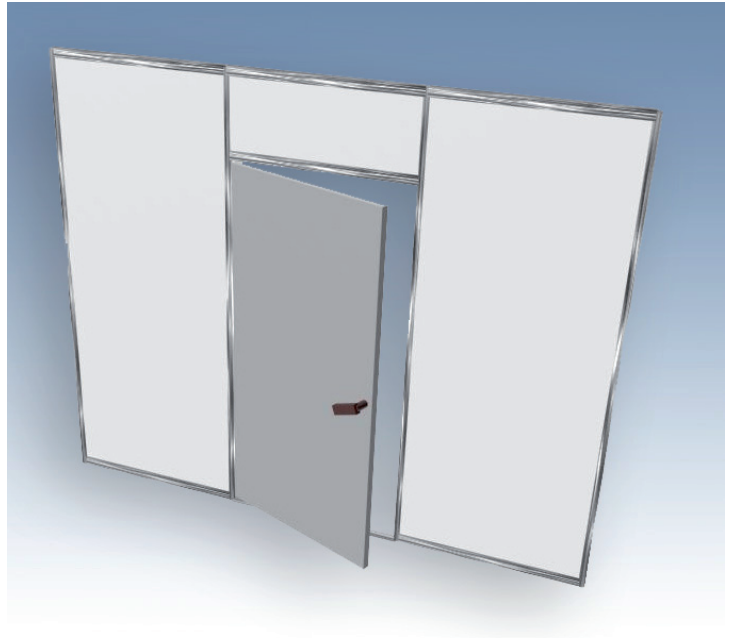


Showcase  
2,5m x 1m x 0,5m,  
R=0,5m



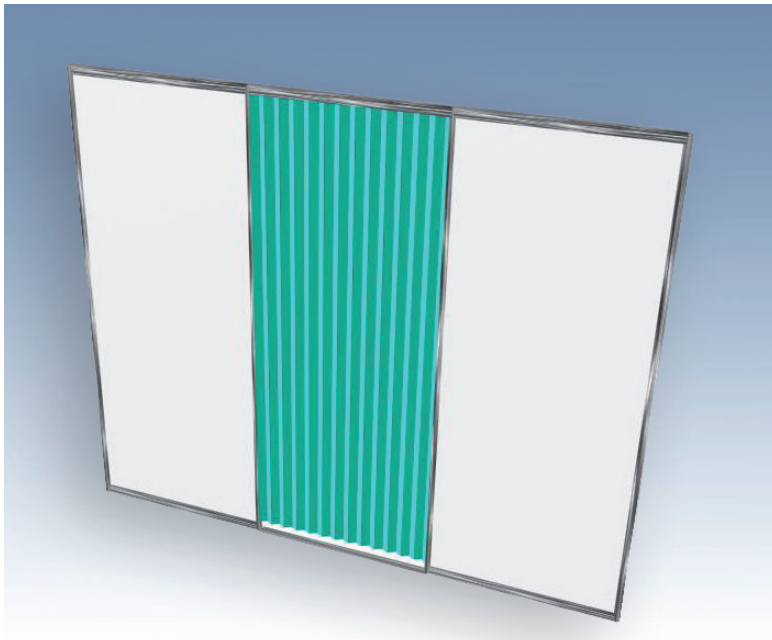
2,5 x 1m

PWall element, white (Octanorm)



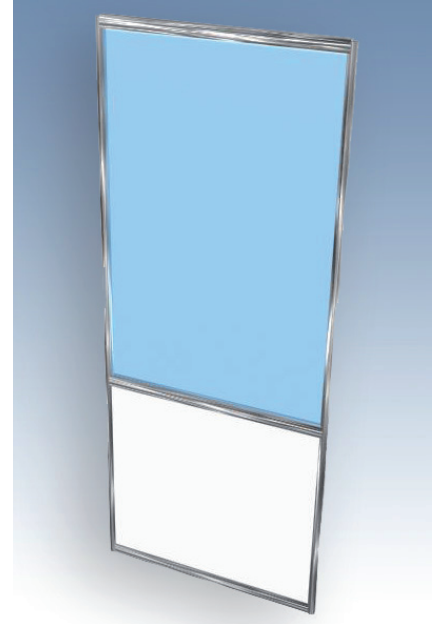
2,5m x 1m

Office door (Octanorm) with lock



2,5m x 1m

Wall element (Octanorm) with curtain



2,5m x 1m

Wall element (Octanorm) with glass

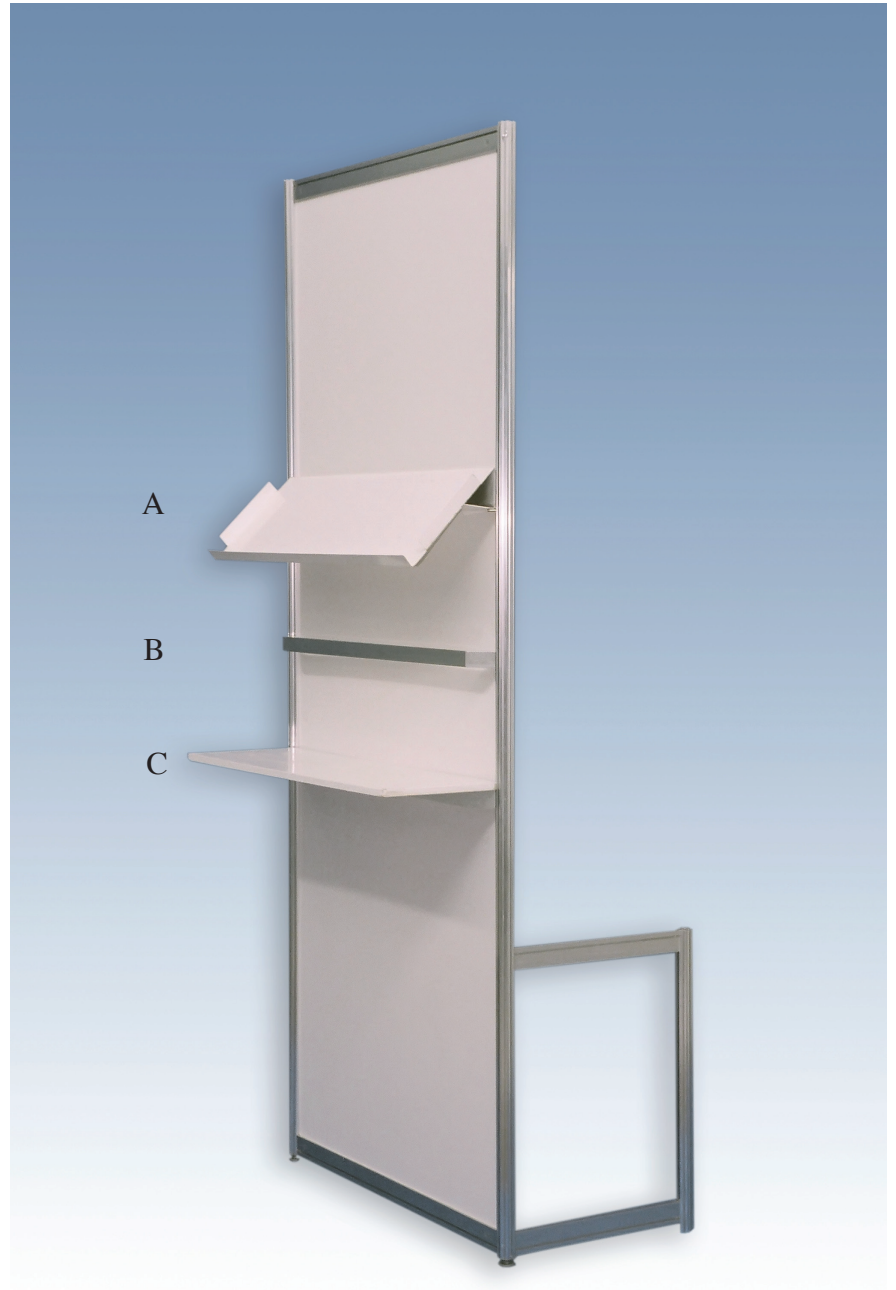
/  
:/

**A. Shelf for literature**

**B. Coat-hanger**

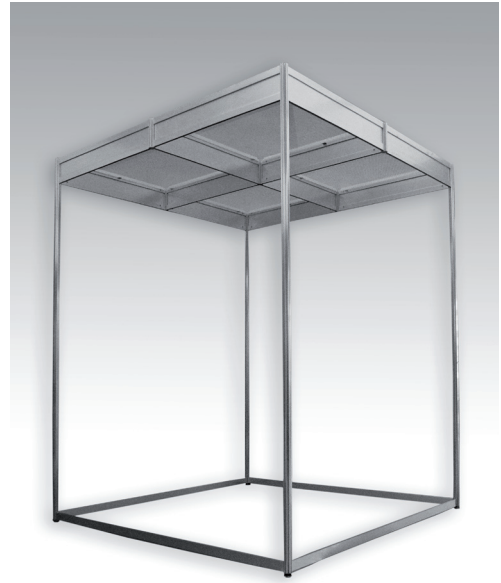
**C. Shelf for exhibits**

1,0 x 0,3m





Ceiling structure



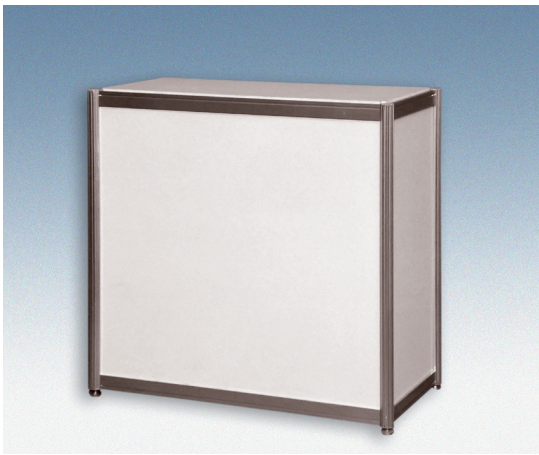
Hanging ceiling



Volumetric ceiling structure



Stage  
(H=0,6 m)



0,5 x 1 x 1m

Information desk with shelf



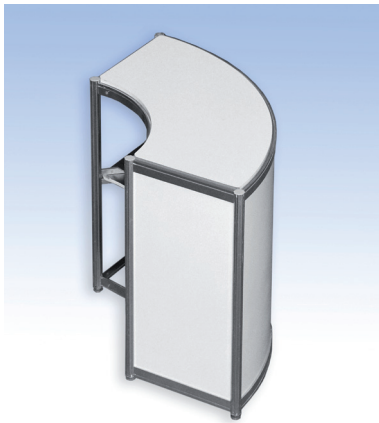
0,5 x 0,5 x 1m

Information desk with shelf



0,5 x 0,5 x 1m; R-0,5m

Information desk with shelf



1 x 1 x 1m; R-1m

Information desk with shelf



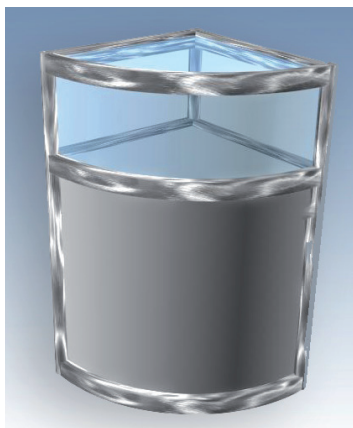
0,5 x 1 x 1m

Showcase desk with shelf



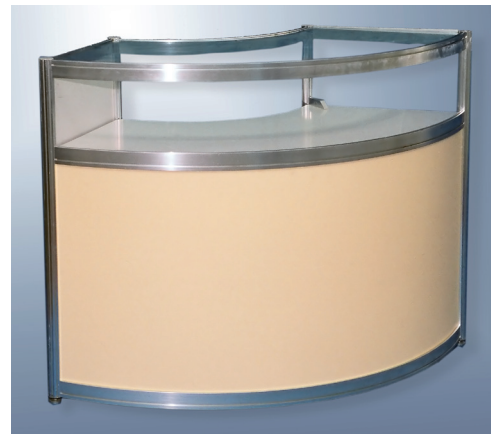
0,5 x 0,5 x 1m

Showcase desk with shelf



0,5 x 0,5 x 1m; R-0,5m

Showcase desk with shelf



1 x 1 x 1m; R-1m

Showcase desk with shelf

## Supports (Octanorm)



Support (Octanorm) 0.5m x 0.5m,  
h= 0.2m to 1.5m



Support (Octanorm) 1m x 1m,  
h = 0.2m to 1.5 m



Support (Octanorm) 1m x 0.5m, h= 0.2m to 1.5m



Bar stool



0.7 x 0.7m



0.8 x 0.8m

Office desk



0,8 x 1.1 m

Office desk



Office chair



Coat-hinger



Support for literature



Support for publications  
(merry-go-round)



Plastic chair



Plastic table



Non-standart shelf (Octanorm)





Covered modular structure 5x10 m  
h=2,5



Flagstaff  
h = 6 m



Spotlight 60W



Projector MHL150W



Projector MHL  
250W



Projector MHL  
500W